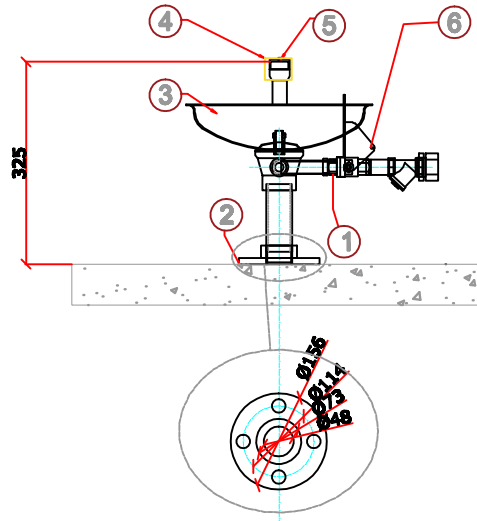


АВАРИЙНЫЙ ФОНТАН ДЛЯ ГЛАЗ С КРЕПЛЕНИЕМ НА ПОВЕРХНОСТИ НЕРЖАВЕЮЩАЯ СТАЛЬ

15012000



Standarts: EN 15154-2
 Water Flow: 11,5 l/ min for Eyewash
 Total Weight: 5.10 kgs
 Packed Dimensions: 32 x 32 x 22 cm

Static test pressure : 7 bar
 Min using pressure : 1,4 bar
 Max using pressure : 2,8 bar

NO.	DESCRIPTION	NOTES
6	Push Handle Control for Eyewash	
5	Spray Nozzles	
4	Dust Cover on Eyewash Spray	
3	Eyewash Bowl	
2	Water Inlet With Flange	
1	1/2" Ball Valve	

		FIRST ISSUE			SS	FA	ST	CUSTOMER	
REV.	DATE	DESCRIPTION	DESIGNED	CHECKED	APPROVED				
		ORIGINAL EDITION		SIZE	SCALE	PRODUCT			
		DESIGNED	CHECKED	APPROVED	A4	1/100	15012000		
STATUS FOR INFORMATION <input type="checkbox"/> FOR RFO/DESIGN <input checked="" type="checkbox"/> FOR REVIEW <input type="checkbox"/> FOR APPROVAL <input type="checkbox"/>						DRAWING NUMBER/DATE:		SHEET:	DRAWING NAME:
						412/16-2		1 OF: 1	Аварийный фонтан для глаз